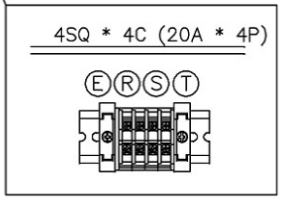
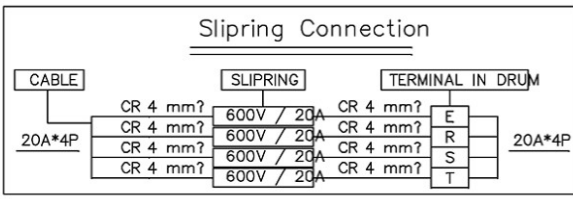
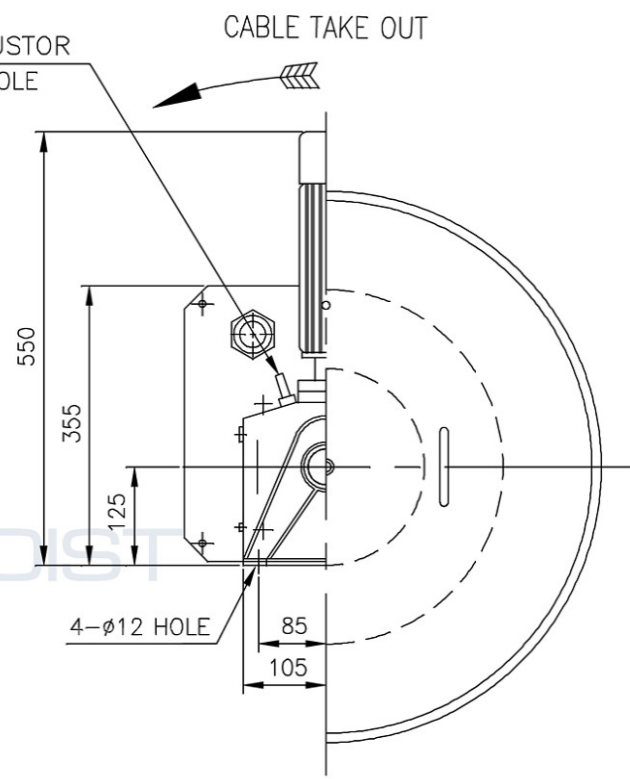
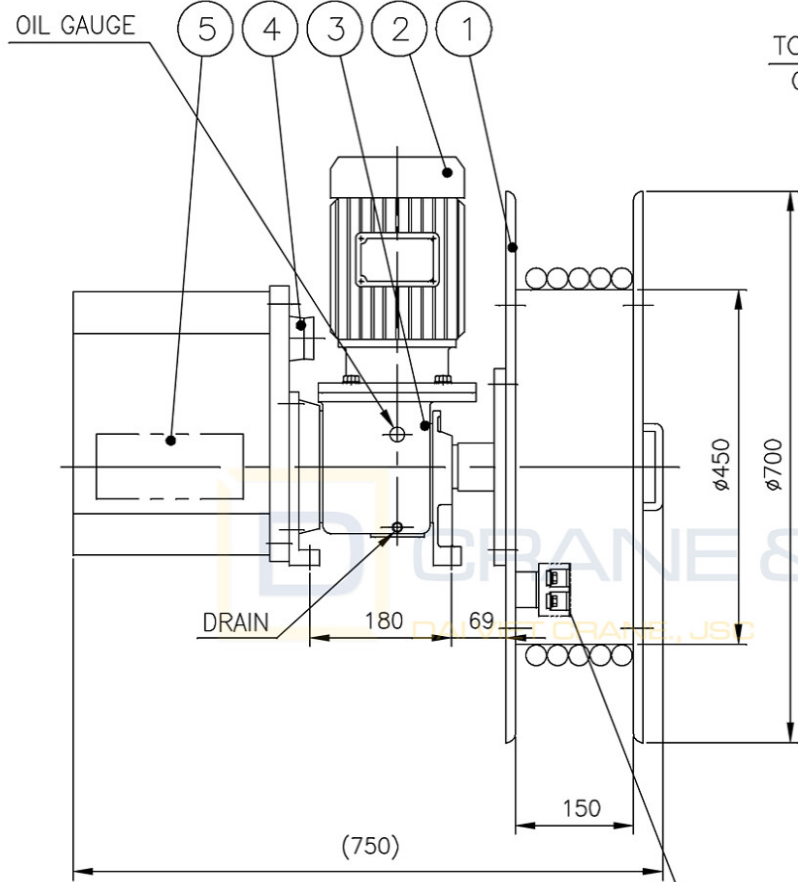
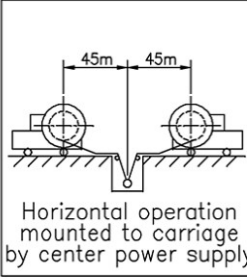
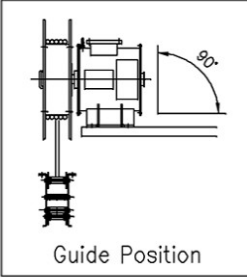
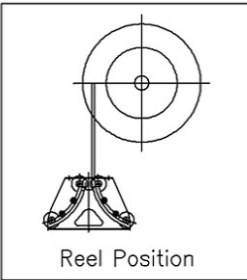


MARK	REVISIONS NO	REASONABLE RVISIONS	DATE	DWN	APVD



**SPECIFICATION**

- Cable
  - o PNCT 4sq x 4c
  - o Size : approx. 15.8 mm
  - o Weight : approx. 0.4 kg/m
  - o Length : 50M
- Traveling Length Dead Turn \_ 3M  
 : Traveling \_ 45M
- Traveling Speed max. 20 M/MIN
- Winding Torque 1.5 Kg.m
- Power Source : AC380V\*3ph\*50Hz
- Slip Ring : 20A x 4P
- Setting Height : Max. 2 m from G.L.
- Acceleration Time 3 sec.
- Feeding Method: Center Feeding Type
- Paint Color : MUNSELL No. 7.5 BG6/1.5 (Out Door-80um)
- Q' ty : 1 Set

5	SLIP RING	C3771	4		
4	CONNECTOR	-	1		
3	REDUCER	-	1		
2	MOTOR	KOREEL	1	0.75KW	
1	DRUM	SPHC	1		
ITEM	PARTS NO.	PART NAME	MATERIAL	Q'TY	REMARKS
??	??	??	??	??	??
PROJECTION 3rd ANGLE		DIMENSIONS METRIC (mm)		SCALE 1 : 1	MODEL SF1-450-4
CUSTOMER ? ?		VNID		PART NAME ASS'Y	
MODEL COLOR ?? ??		7.5 BG6/1.5		PART NO. Z695-6000	
DRAWING		DESIGN	CHECK	APPROVAL	
SIGN		S.S.H			
DATE 2016.8.23					

